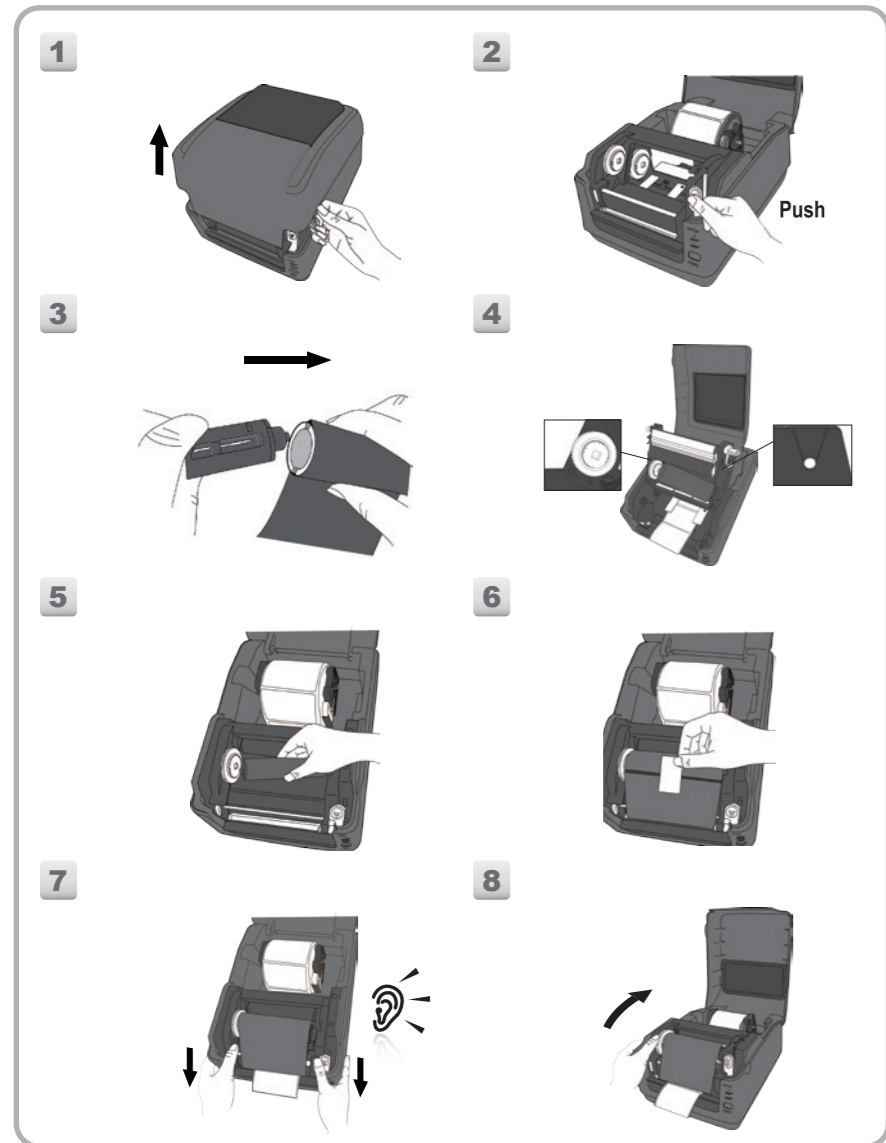
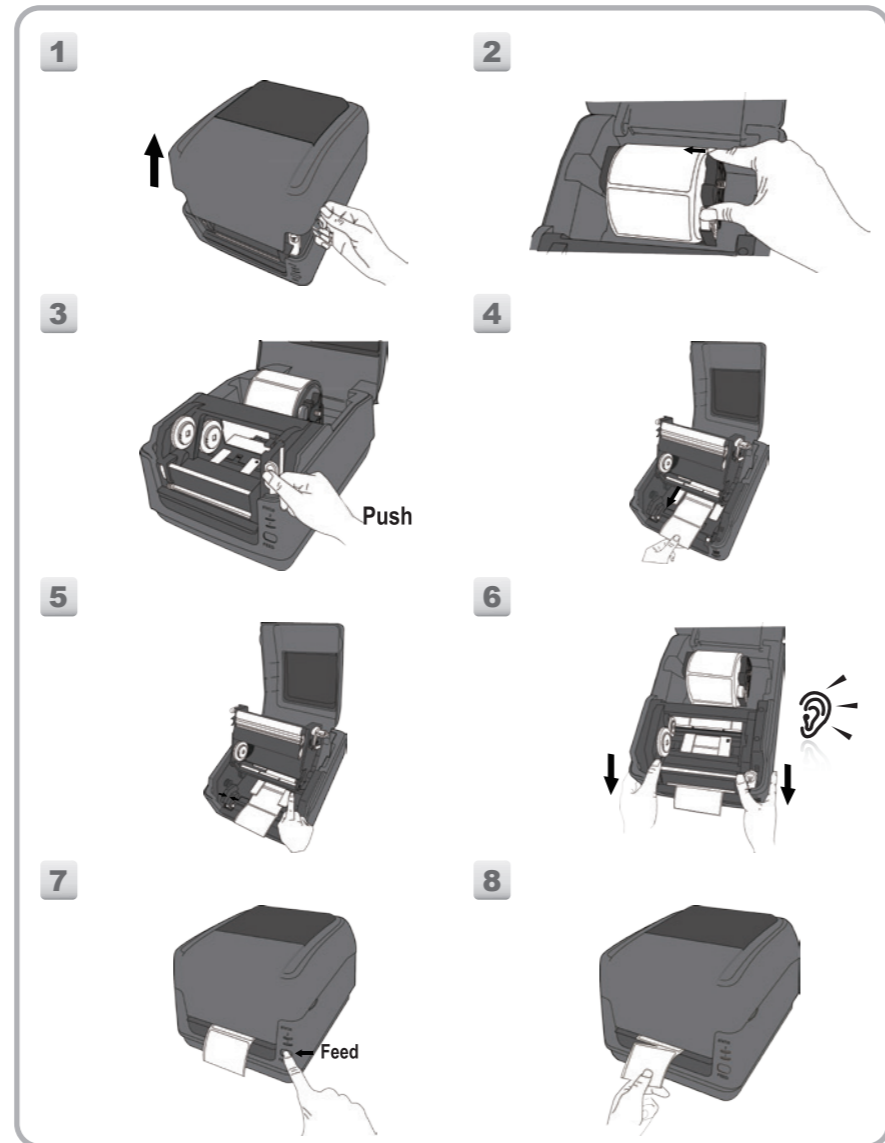


Loading Ribbon
 碳帶安裝
 紙捲安裝
 紙卷安裝
 Instalación de cinta
 Chargement de ruban
 Laden des druckbandes
 Instalação de ribbon
 Caricamento nastro
 Lastning band
 Pasang Pita/Ribbon
 Ladeband
 Taśma załadowcza
 Ribon Takma
 리본 설치 방법

Loading Media
 紙捲安裝
 紙卷安裝
 Instalación de papel
 Chargement de papier
 Laden des labelmaterials
 Instalação de etiquetas
 Caricamento carta
 Lastning av papper
 Pasang Bahan/Media
 Papier laden
 Załadunek papieru
 Etiket takma
 용지 설치 방법



5



6

The user is cautioned that any changes or modifications not recommended by Argox Information Co. Ltd. could result in the loss of the user's authority to operate the equipment. To ensure compliance, the users must use accessories and peripherals approved by Argox Information Co. Ltd.



Supplemental Information: This device complies with the requirement of FCC Part 15 Rules. Operation is subject to the following two Conditions:
 (1) This device may not cause harmful interference and
 (2) this device must accept any interference received, including interference that may cause undesired operation.

INDUSTRY CANADA NOTICE:

This device complies with Industry Canada ICES-003 class A requirements. Cet équipement est conforme a ICES-003 classe A de la norm Industrielle Canadian.



IEC 60950-1: 2005+A1: 2009
 EN 60950-1: 2006+A11: 2009+A1: 2010+A12: 2011



EMC: EN 55032:2012/AC:2013
 EN 55024:2010 + A1:2015



Argox Information Co., Ltd certifies that the following products and/or components are compliant with the current requirements of the European Union Restriction on the use of Hazardous Substances (RoHS) Directive, 2011/65/EU.

警告使用者:
 這是甲類的資訊產品，在居住的環境中使用時，可能會造成射頻干擾，在這種情況下，使用者會被要求採取某些適當的對策。

CAUTION: RISK OF EXPLOSION IF BATTERY IS REPLACED BY AN INCORRECT TYPE. DISPOSE OF USED BATTERIES ACCORDING TO THE INSTRUCTIONS.

ATTENTION: RISQUE D'EXPLOSION SI LA BATTERIE EST REMPLACÉE PAR UN MODÈLE INCORRECT. JETEZ LES BATTERIES USAGÉES SELON LES INSTRUCTIONS SY RÉFÉRANT.

Argox Information Co., Ltd.

7F., No.126, Ln.235, Baoqiao Rd., Xindian Dist.,
 New Taipei City 231, Taiwan (R.O.C.)
 Tel: +886-2-8912-1121 Fax: +886-2-8912-1124
<https://www.argox.com>
<https://www.youtube.com/user/argoxmkt>
 email: service@argox.com

Copyright © 2019. Argox Information Co.Ltd., All Rights Reserved.

單元 Unit	限制物質及其化學符號 Restricted substances and its chemical symbols				
	鉛Lead (Pb)	汞Mercury (Hg)	鎘Cadmium (Cd)	六價鉻Hexavalent chromium (Cr ⁶⁺)	多環聯苯多溴二苯醚Polychlorinated biphenyls (PCBs)
印刷電路板組件	—	○	○	○	○
線材	—	○	○	○	○
塑膠	—	○	○	○	○
印字機組件	—	○	○	○	○

備考 1: "超出0.1 wt%" 及 "超出0.01 wt%" 係指限制物質之百分比含量超出百分比含量基準值。
 Note 1: "Exceeding 0.1 wt%" and "exceeding 0.01 wt%" indicate that the percentage content of the restricted substance exceeds the reference percentage value of presence condition.
 備考 2: "○" 係指該項限制物質之百分比含量未超出百分比含量基準值。
 Note 2: "○" indicates that the percentage content of the restricted substance does not exceed the percentage of reference value of presence.
 備考 3: "—" 係指該項限制物質為豁免項目。
 Note 3: The "-" indicates that the restricted substance corresponds to the exemption.

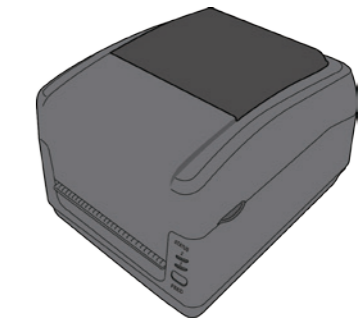
P4-200, P4-250, P4-280, P4-300, P4-350, P4-380
 P4-200plus, P4-250plus, P4-280plus, P4-300plus, P4-350plus, P4-380plus



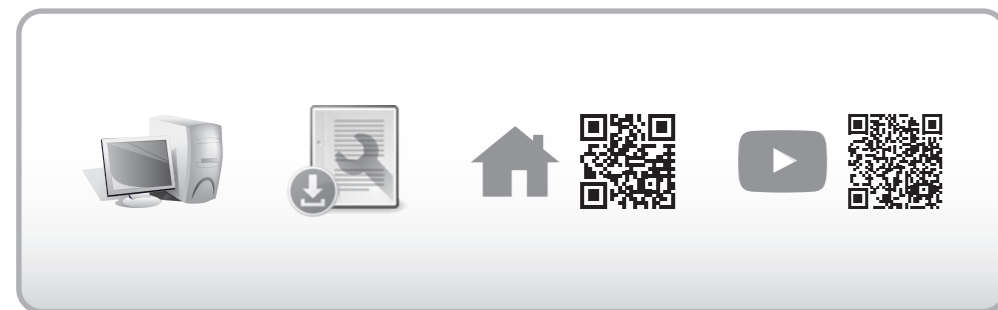
**P4-Series
 Printers Quick Installation Guide**



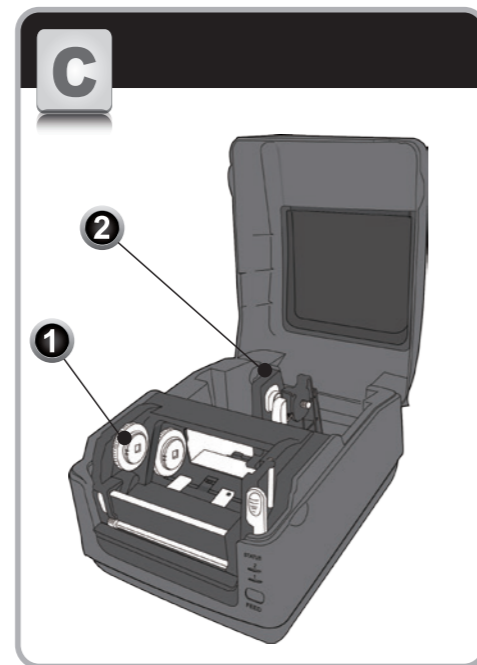
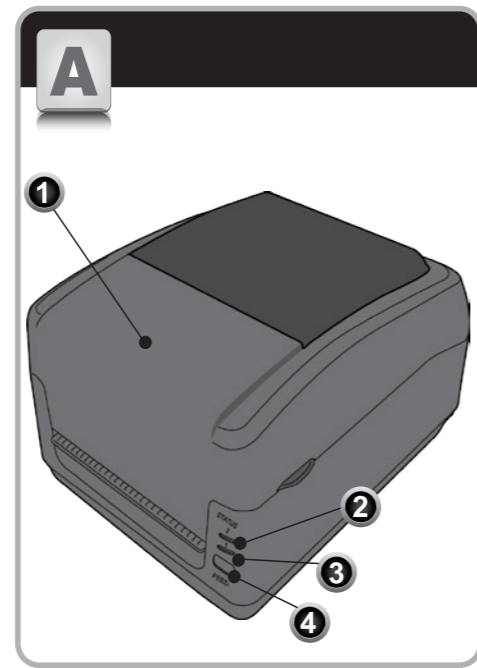
快速安裝指南
 快速安装指南
 Guía Rápida
 Rapide Guide
 Bedienerhandbuch
 Guia de Ajuda Rápida
 Guida Rapida
 Snabb Installationsguide
 Snelle Installatiegids
 Przewodnik Szybkiej Instalacji
 Pedoman Penginstalan Cara Cepat
 Hızlı Kurulum Kılavuzu
 빠른 설치 안내서



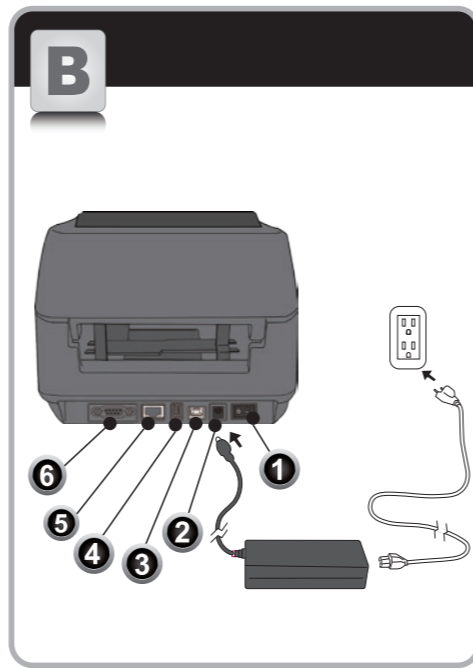
Part No: 49-P4201-003
 Revision Date: Apr. 2019



①



②



English

- A -

- 1 Top Cover
- 2 Indicator 2
- 3 Indicator 1
- 4 Feed Button

- B -

- 1 Power Switch
- 2 Power Jack
- 3 USB Type B
- 4 USB Type A
- 5 Ethernet
- 6 Serial Port (RS-232C)

- C -

- 1 Ribbon Take-Up Holder
- 2 Media Holder

- D -

- 1 Ribbon Supply Holder
- 2 Platen Roller
- 3 Thermal Printhead
- 4 Media Guides

한국어

- A -

- 1 프린터 상단 커버
- 2 LED 2
- 3 LED 1
- 4 급지 버튼 (Feed)

- B -

- 1 전원 스위치
- 2 전원 잭
- 3 USB 타입 B
- 4 USB 타입 A
- 5 이더넷 (Ethernet)
- 6 직렬 포트 (RS-232)

- C -

- 1 리본 테이크 업 홀더
- 2 미디어 홀더

- D -

- 1 리본 공급 홀더
- 2 플래튼 롤러
- 3 열 전사 프린트 헤드
- 4 미디어 가이드

Español

- A -

- 1 Cubierta Superior
- 2 Indicador 2
- 3 Indicador 1
- 4 Botón FEED (Alimentación)

- B -

- 1 Interruptor de Corriente
- 2 Conector de alimentación
- 3 USB Tipo A
- 4 USB Tipo B
- 5 Ethernet
- 6 Serie RS232

- C -

- 1 Soporte recogida de cinta
- 2 Soporte de suministro de papel

- D -

- 1 Suministro de cinta
- 2 Rodillo arrastre
- 3 Cabezal de impresión
- 4 Guía de papel

Nederlands

- A -

- 1 Top Cover
- 2 Indicator 2
- 3 Indicator 1
- 4 Feed Button

- B -

- 1 Stroomschakelaar
- 2 Power Jack
- 3 USB Type B
- 4 USB type A
- 5 Ethernet
- 6 Seriele poort (RS-232)

- C -

- 1 Lint oprol houder
- 2 Media Houder

- D -

- 1 Lint Houder
- 2 Drukrol
- 3 Thermische printkop
- 4 Media Geleiders

Português

- A -

- 1 Tampa Superior
- 2 Indicador 2
- 3 Indicador 1
- 4 Botão Feed (alimentação)

- B -

- 1 Interruptor Ligar/ Desligar
- 2 Conector de Energia
- 3 USB Tipo A
- 4 USB Tipo B
- 5 Ethernet
- 6 Serial RS232

- C -

- 1 Enrolador de Ribbon
- 2 Suporte do Rolo de Papel

- D -

- 1 Suporte do rolo de Ribbon
- 2 Rolete
- 3 Cabeça de Impressão
- 4 Guia do papel

Polskie

- A -

- 1 Górna obudowa
- 2 Wskaźnik 2
- 3 Wskaźnik 1
- 4 Przycisk podawania

- B -

- 1 Przycisk zasilania
- 2 Gniazdo zasilania
- 3 USB typ B
- 4 USB typ A
- 5 Ethernet
- 6 Port szeregowy (RS-232)

- C -

- 1 Rolka na zużytej taśmie barwiącej
- 2 Uchwyt mediów

- D -

- 1 Rolka na taśmę barwiącą
- 2 Walek dociskowy
- 3 Głowica termiczna
- 4 Przewodniki multimedialne

Deutsch

- A -

- 1 Deckel
- 2 Indikator 2
- 3 Indikator 1
- 4 FEED-Taste

- B -

- 1 Netzschalter
- 2 Stromanschluß
- 3 USB Typ B
- 4 USB Typ A
- 5 Ethernet
- 6 RS232 seriell

- C -

- 1 Carbonbandaufnahmespindel
- 2 Etikettenrollenhalter

- D -

- 1 Farbband Spindel
- 2 Andruckrolle
- 3 Druckkopf
- 4 Etikettenführung

Italia

- A -

- 1 Coperchio
- 2 LED 2
- 3 LED 1
- 4 Pulsante avanzamento

- B -

- 1 Interruttore accensione
- 2 Connettore Alimentazione
- 3 USB tipo B
- 4 USB tipo A
- 5 Ethernet
- 6 Seriale RS232

- C -

- 1 Albero recupero nastro
- 2 Supporto rotolo

- D -

- 1 Albero nastro nuovo
- 2 Rullo stampa
- 3 Modulo Testina di stampa
- 4 Guida Carta

Français

- A -

- 1 Capot supérieur
- 2 Indicateur 2
- 3 Indicateur 1
- 4 Bouton Avance papier

- B -

- 1 Interrupteur Alimentation
- 2 Connecteur d'alimentation
- 3 USB Type B
- 4 USB Type A
- 5 Ethernet
- 6 Port Série RS232

- C -

- 1 Rembobineur de film
- 2 Support Rouleau étiquettes

- D -

- 1 Support Film Transfert
- 2 Rouleau entrainement
- 3 Tête d'impression
- 4 Guide papier

繁體中文

- A -

- 1 上蓋
- 2 指示燈 2
- 3 指示燈 1
- 4 送紙鍵

- B -

- 1 電源開關
- 2 電源插孔
- 3 USB Type B
- 4 USB Type A
- 5 乙太網路埠
- 6 RS232 串列埠

- C -

- 1 碳帶回收軸
- 2 紙捲供應端

- D -

- 1 碳帶供應軸
- 2 滾軸
- 3 印字頭模組
- 4 導紙器

简体中文

- A -

- 1 上蓋
- 2 指示灯 2
- 3 指示灯 1
- 4 送纸按钮

- B -

- 1 电源开关
- 2 电源连接器
- 3 USB Type B
- 4 USB Type A
- 5 以太网端口
- 6 RS232 串口

- C -

- 1 碳带回收轴
- 2 纸卷供应端

- D -

- 1 碳带供应轴
- 2 滚轴
- 3 打印头模组
- 4 标籤引导器

Svensk

- A -

- 1 Övre kåpa
- 2 Indikator 2
- 3 Indikator 1
- 4 Matningsknapp

- B -

- 1 Strömbrytare
- 2 Grenutttag
- 3 USB Type B
- 4 USB Type A
- 5 Ethernet
- 6 Serielle port (RS-232)

- C -

- 1 Färgbandsupptagshållare
- 2 Mediahållare

- D -

- 1 Färgbandshållare
- 2 Skrivvals
- 3 Termiskt
- 4 Mediaguider

④